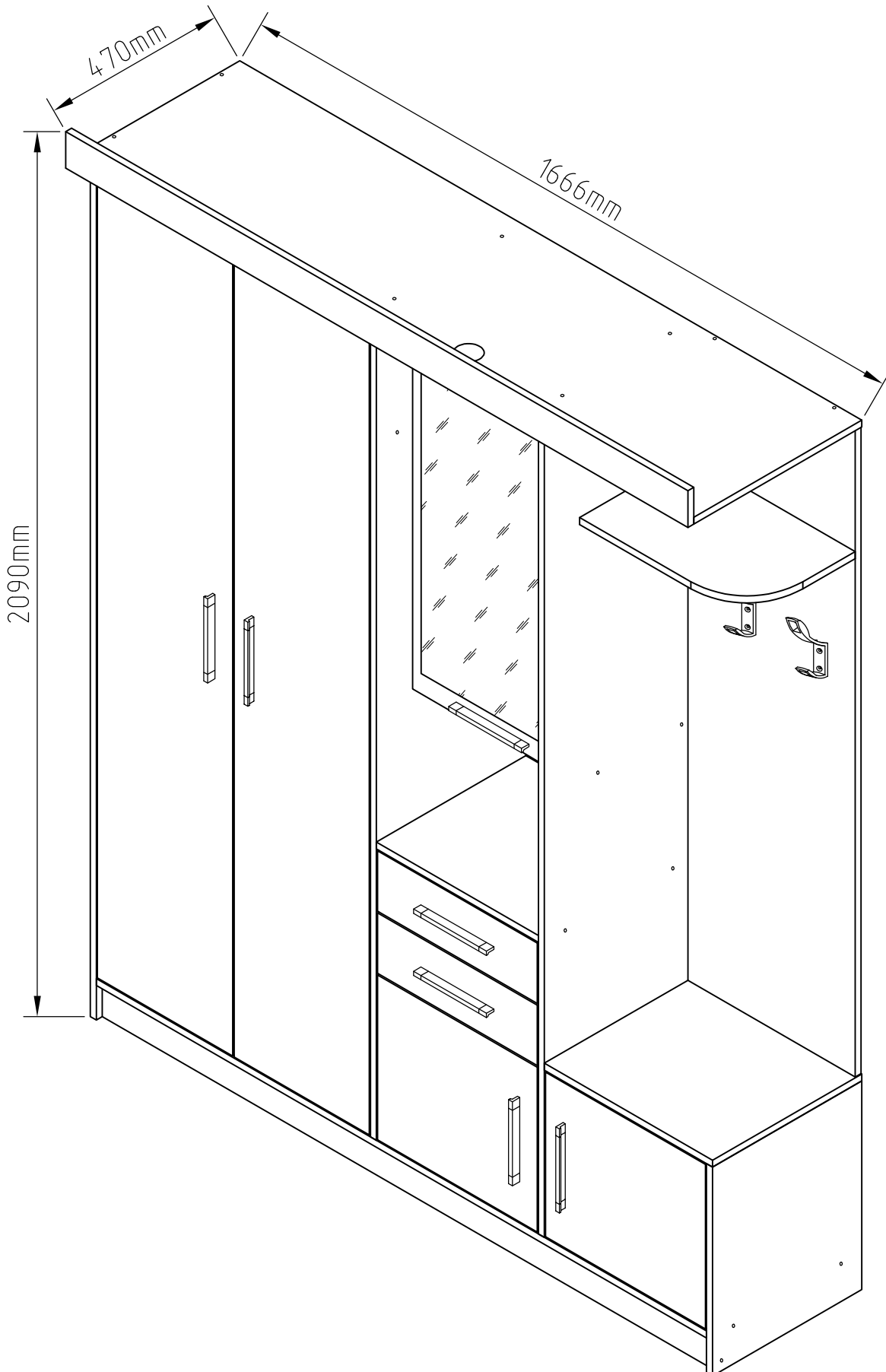
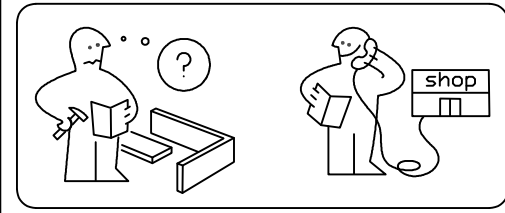
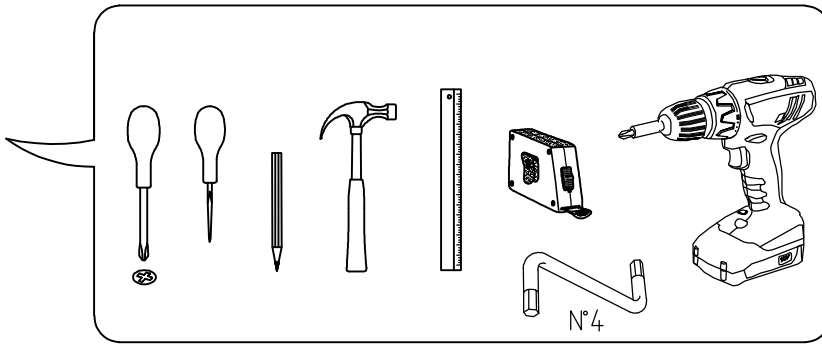
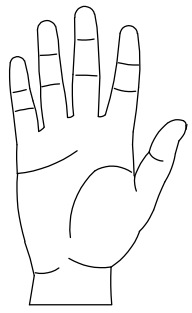
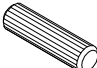

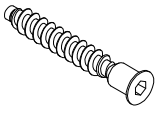
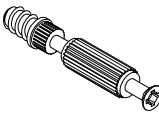

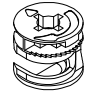



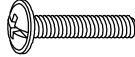


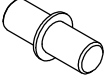

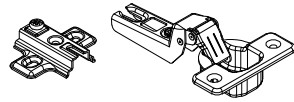

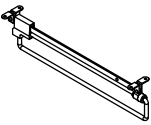




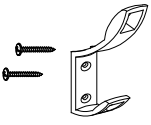


SILHOUETTE 2

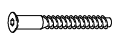


Silhouette 2

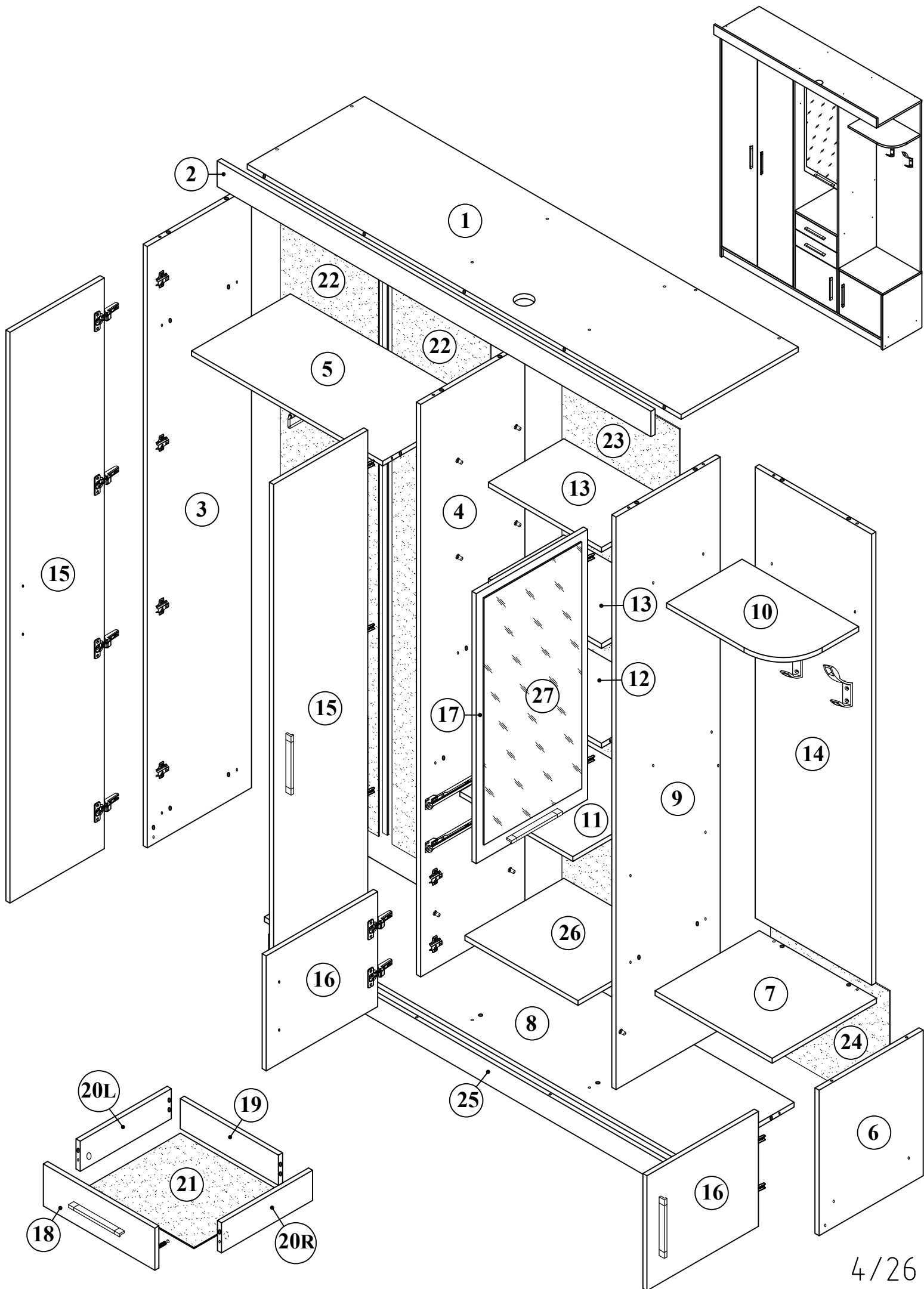


 A1 8*30mm x51	 B ϕ 12mm x20	 B1 6,3*50mm x42
 C1 6*43mm x6	 D ϕ 20mm x6	 D1 15/16 x6
 E4 3*15mm x16	 E12 4*16mm x32	 F4 6,3*13mm x28
 G6 M 4*22mm x14	 H1 M 4 x14	 I19 D-752 x7
 J1 5*16mm x14	 K1 x6	 L3 x14
 M1 L- 350 mm x2	 N6 L-350mm x1	 O8 L-1900 mm x1
 R1 x1	 R3 1.4*25mm 50g	
 T2 x1	 X4 DW08 x2	

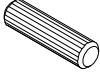


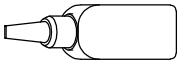
Silhouette 2

No	a*b	x	N°→...	No	a*b	x	N°→...
1	1666×450	1	2/4	17	898×428	1	3/4
2	1666×85	1	2/4	18	140×428	1	2/4
3	2000×400	1	1/4		140×428	1	3/4
4	1904×400	1	1/4	19	100×377	2	3/4
5	734×380	1	3/4	20L	100×350	2	1/4
6	484×400	1	3/4	20R	100×350	2	1/4
7	450×400	1	3/4	21	354×407	2	4/4
8	1634×400	1	1/4	22	1932×377	2	4/4
9	1904×400	1	1/4	23	1932×450	1	4/4
10	448×290	1	3/4	24	416×456	1	4/4
11	434×400	1	3/4	25	1634×80	1	2/4
12	434×290	1	2/4	26	434×380	1	3/4
13	434×290	2	2/4	27	820×375	1	
14	1500×448	1	2/4				
15	1898×362	2	1/4			1	3/4
16	382×428	2	3/4				

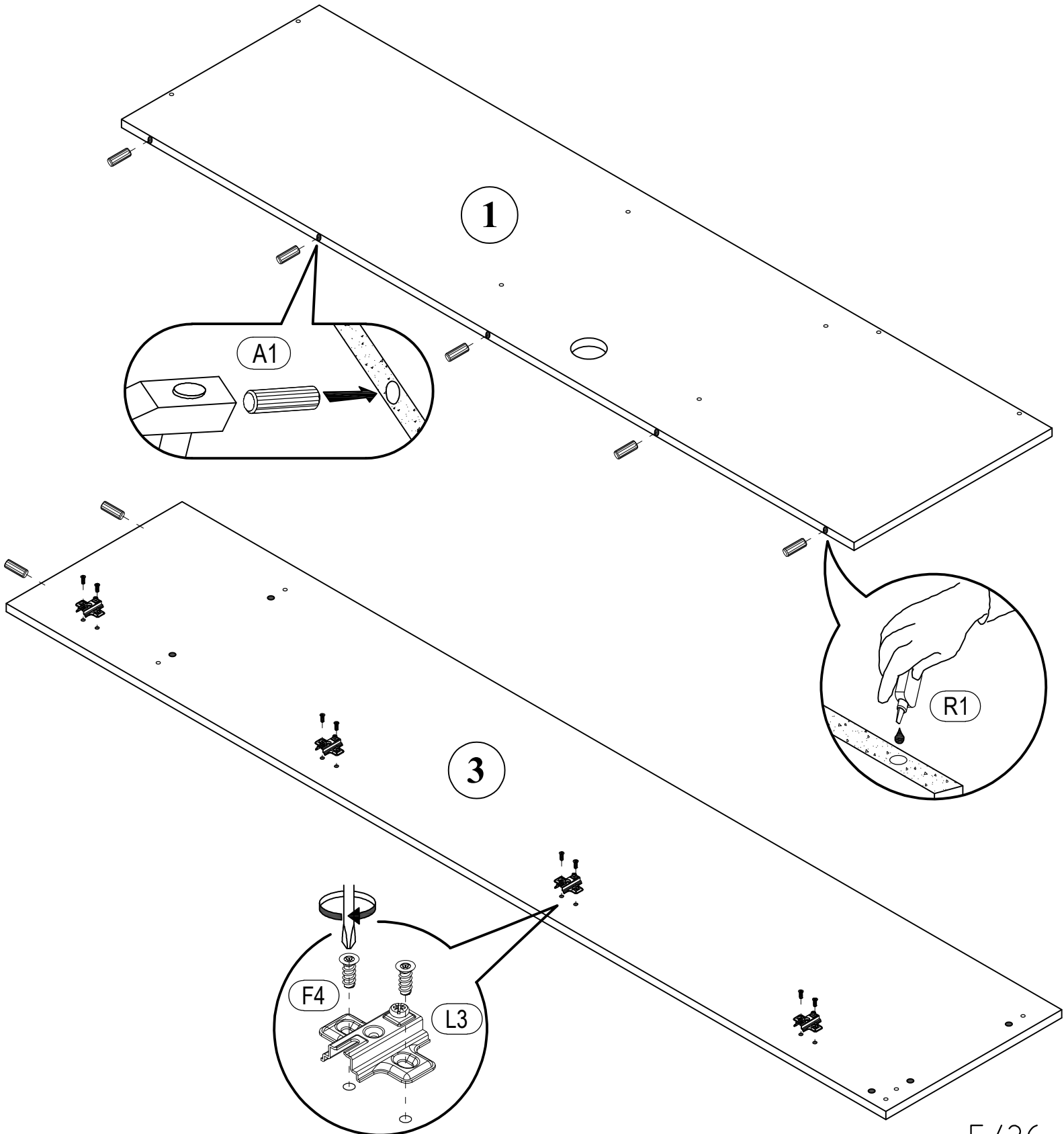
Silhouette 2

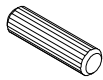


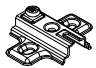



Silhouette 2

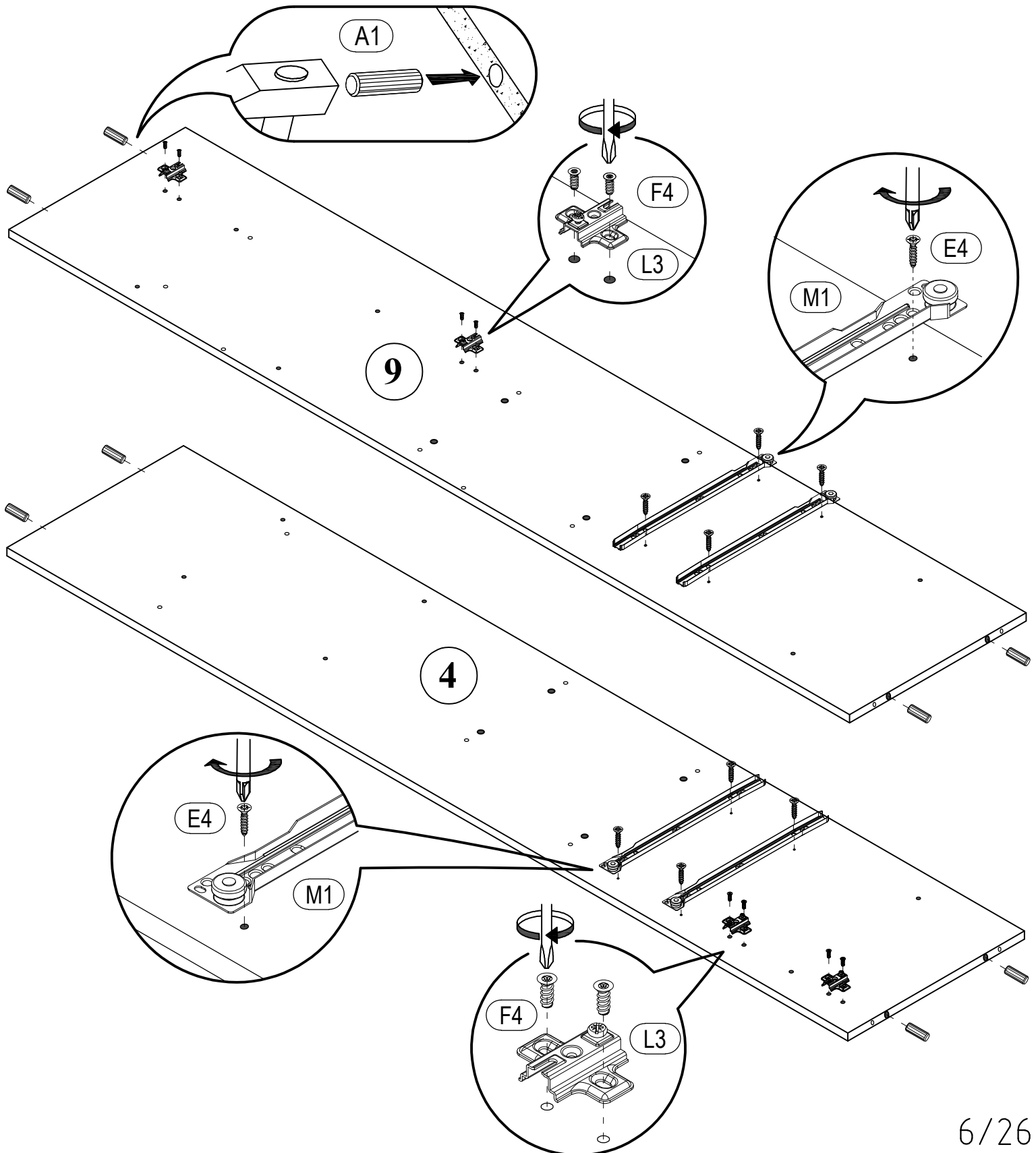
 A1 8*30mm x7	 F4 6,3*13mm x8	 L3 x4
		 R1 x1

1

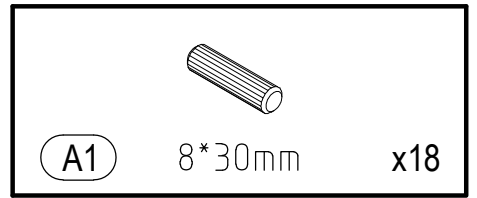


 A1 8*30mm x8	 E4 3*15mm x8	 F4 6,3*13mm x8
	 L3 x4	 M1 L- 350 mm x2

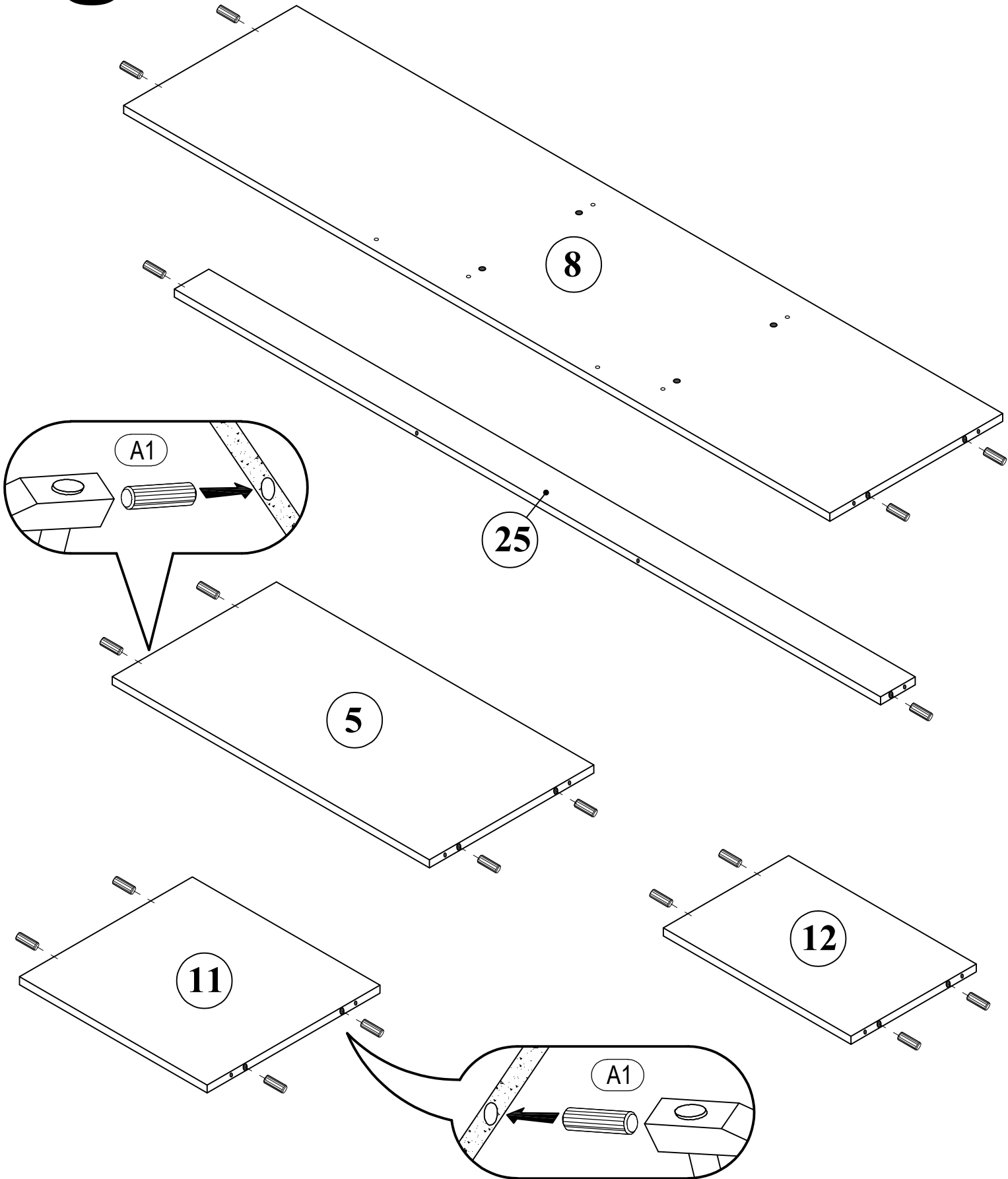
2

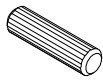
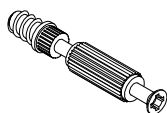


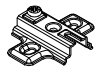


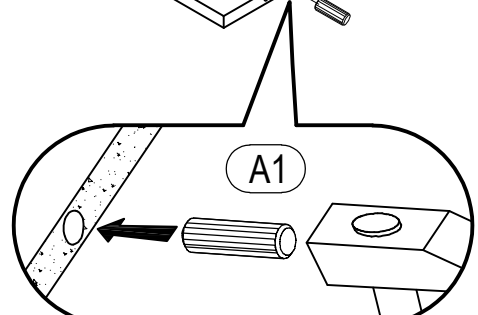
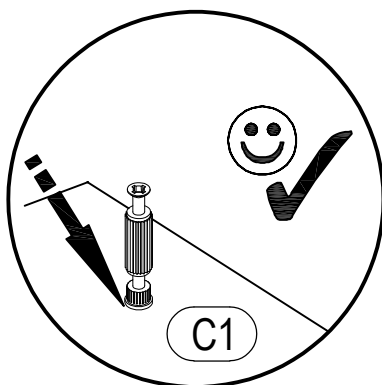
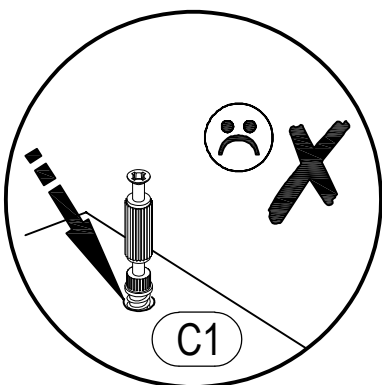
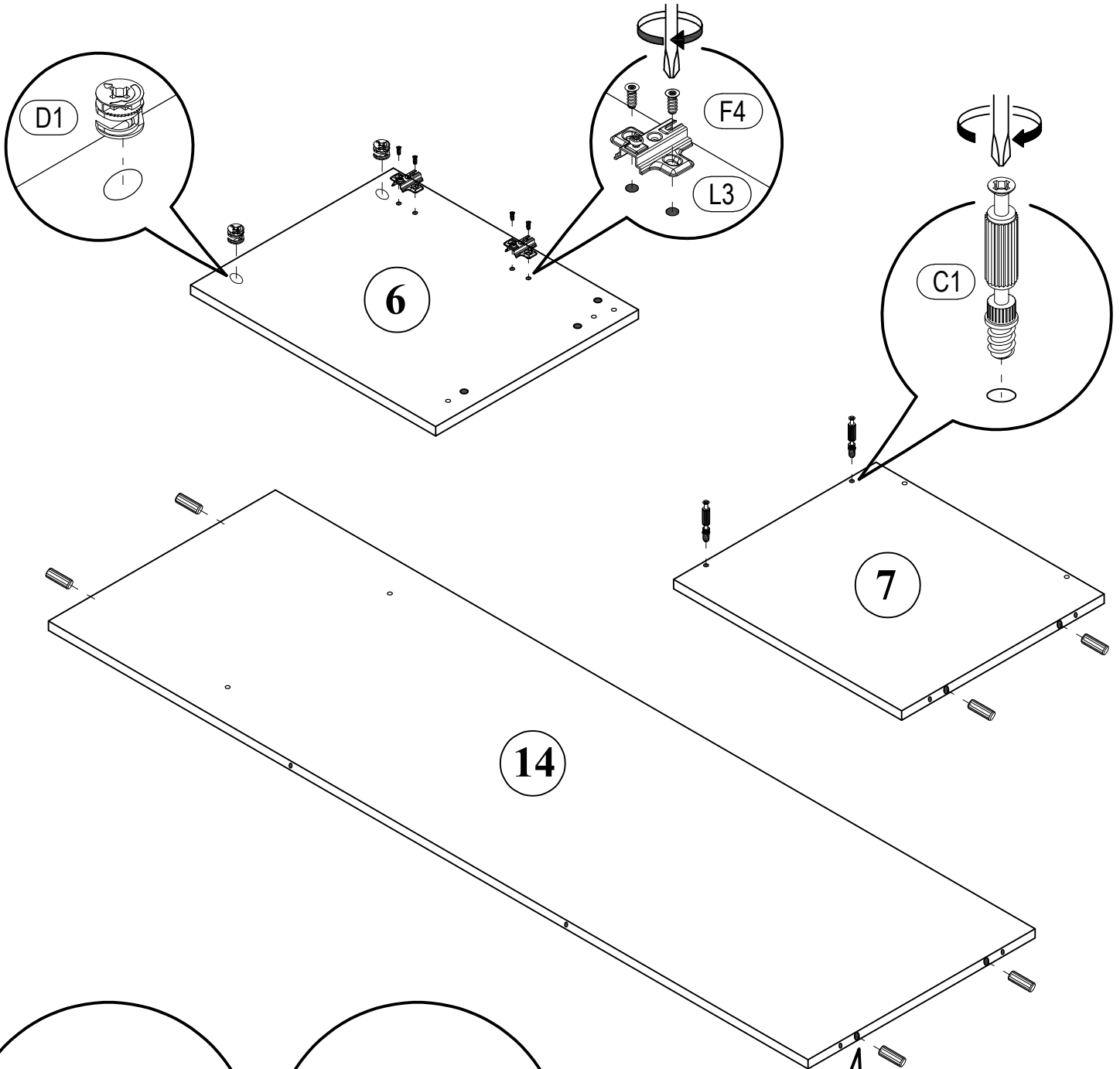
Silhouette 2




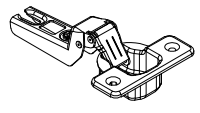
3



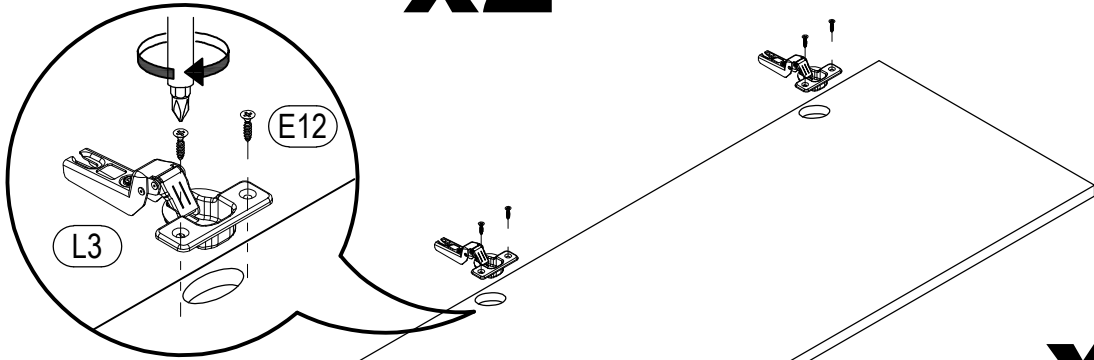
 A1 8*30mm x6	 C1 6*43mm x2	 D1 15/16 x2	
4		 F4 6,3*13mm x4	 L3 x2



5

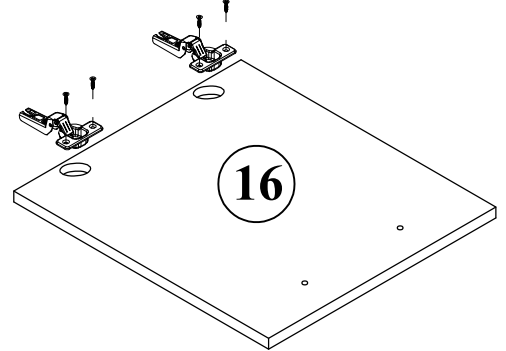
 E12 4*16mm x28	 L3 x14
---	---

x2

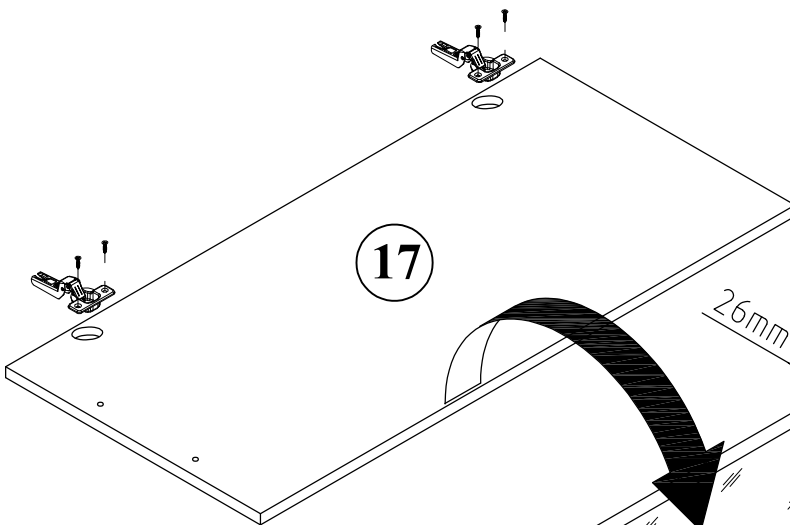
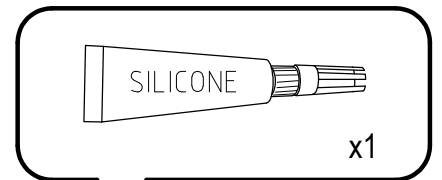


15

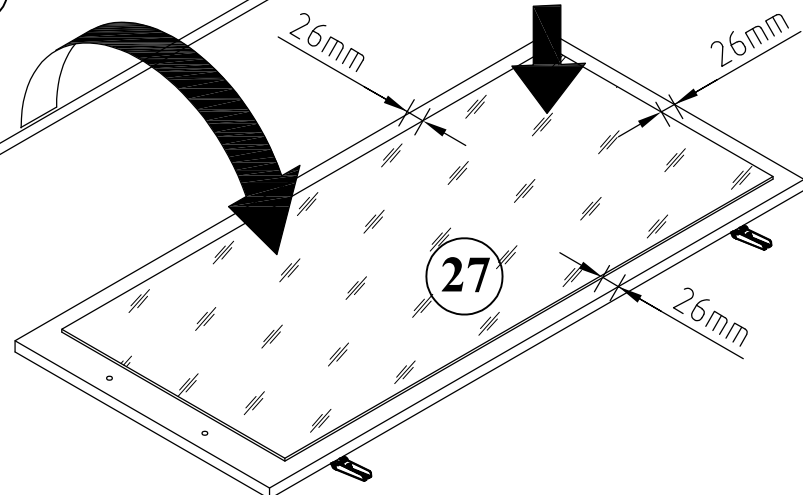
x2



16

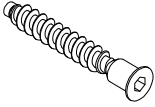
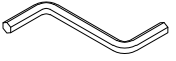


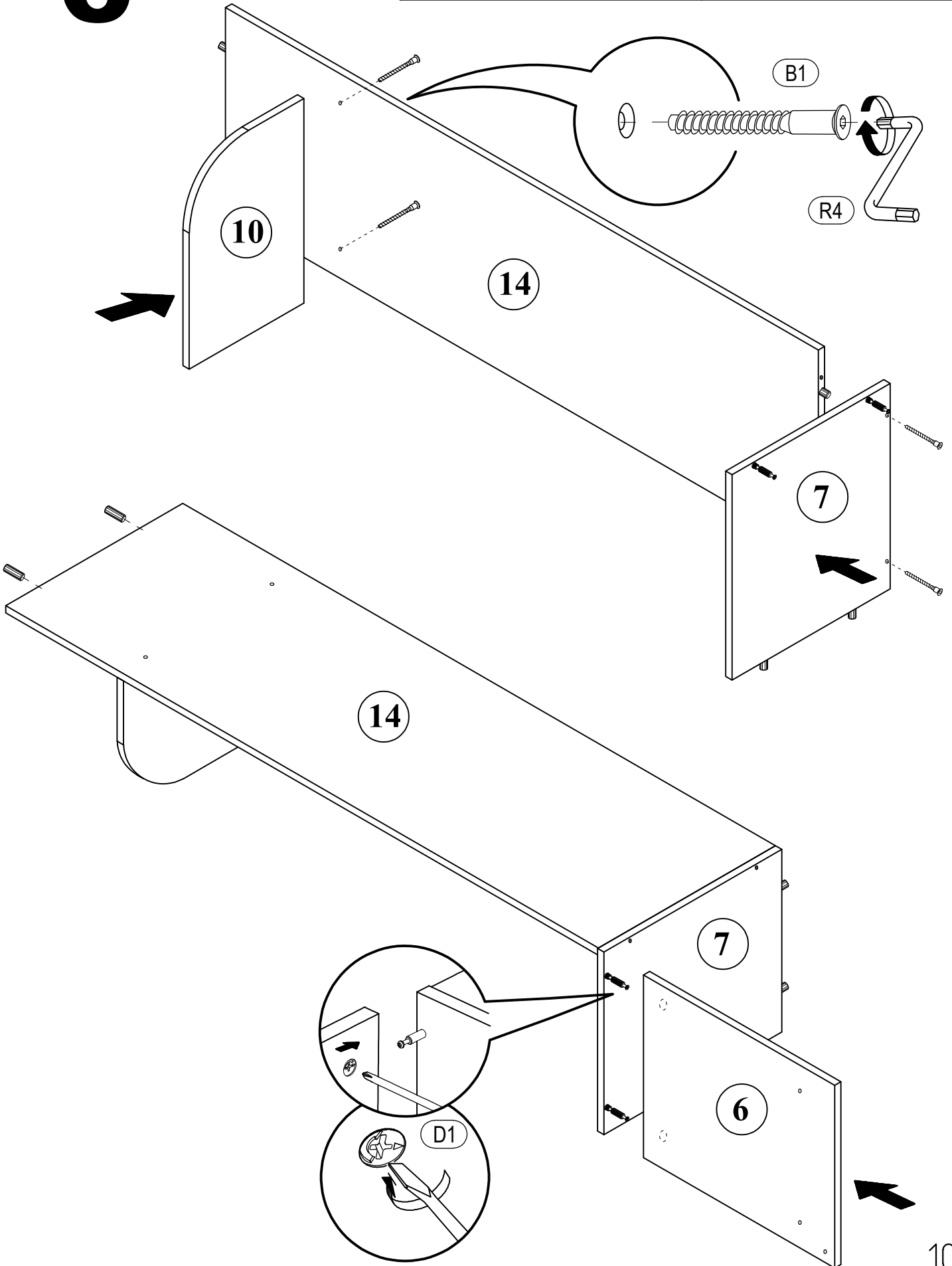
17



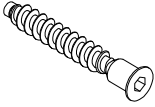

27

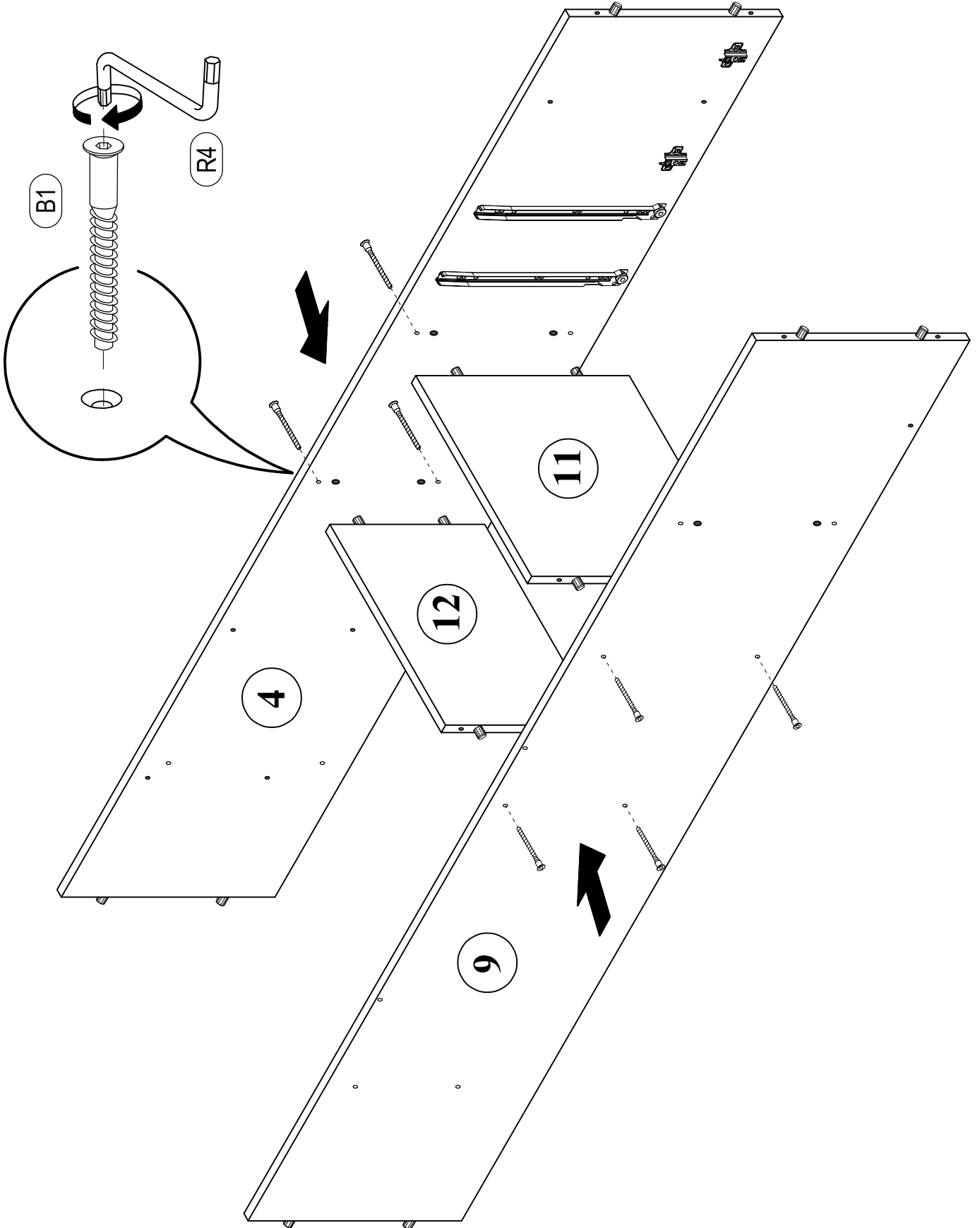
6

	
(B1) 6,3*50mm x4	(R4) N°4 x1



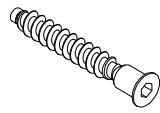

7

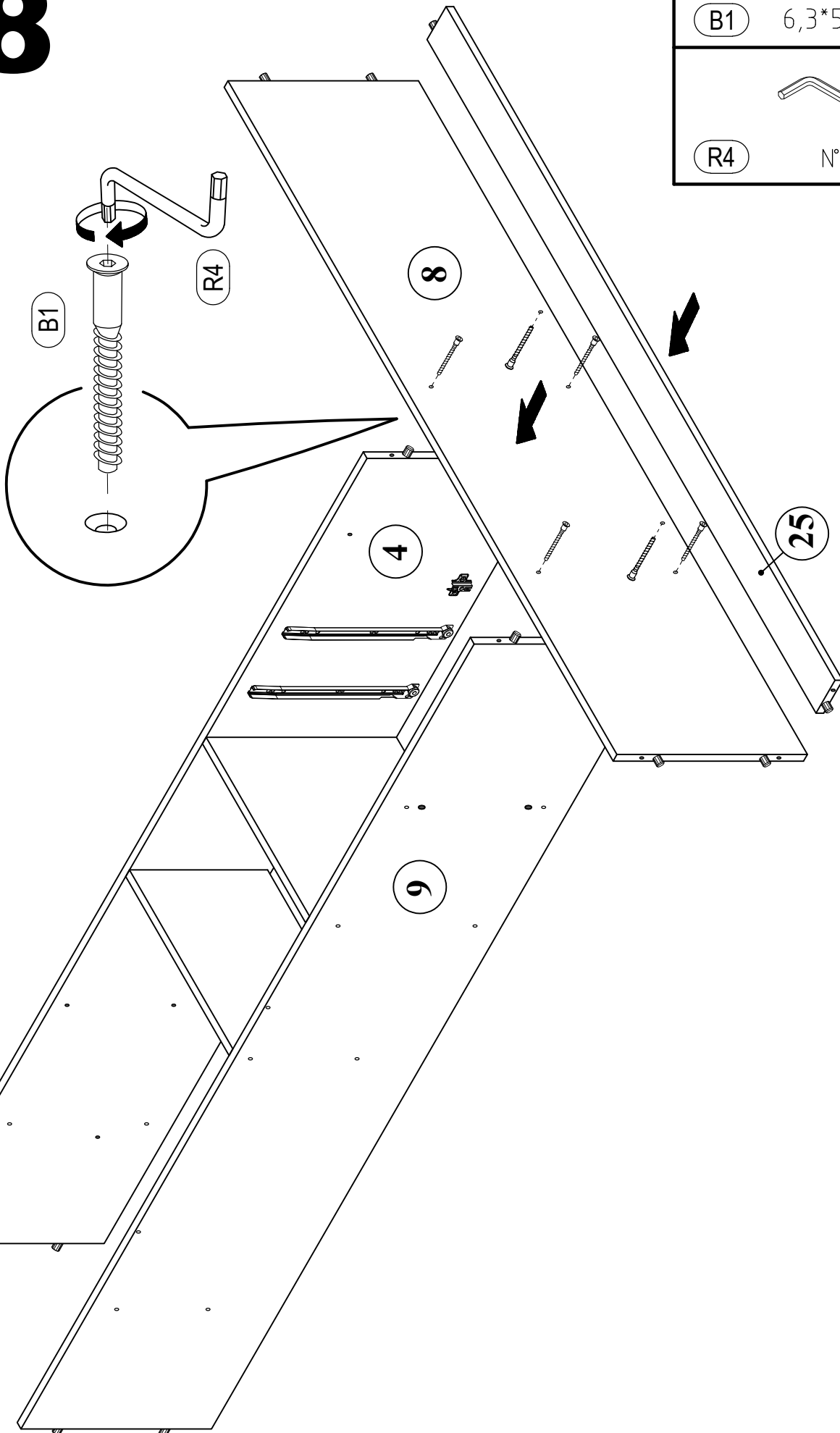
	
B1 6,3*50mm x8	R4 N°4 x1



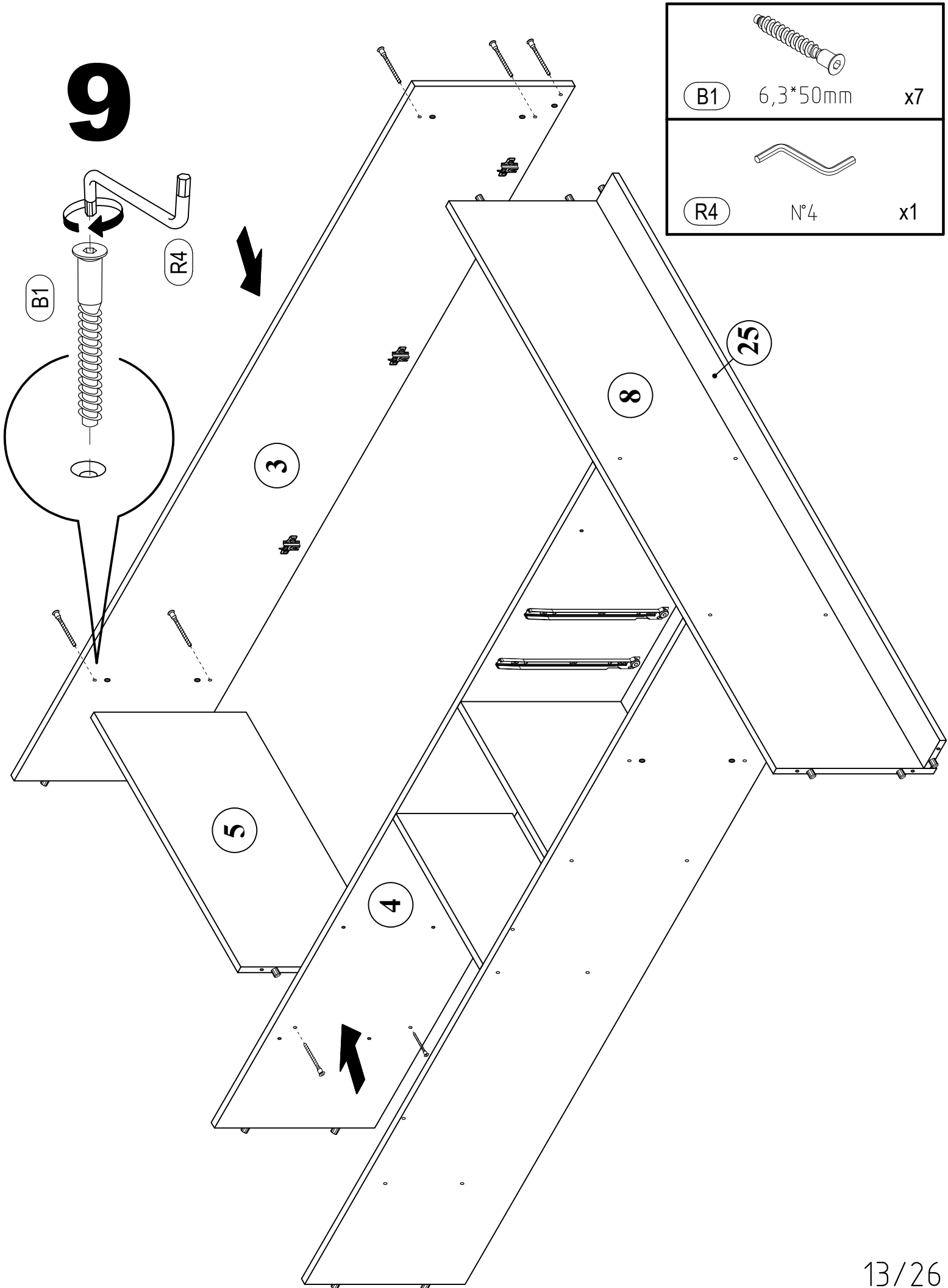
Silhouette 2

8

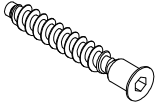

	B1 6,3*50mm	x6
	R4 N°4	x1

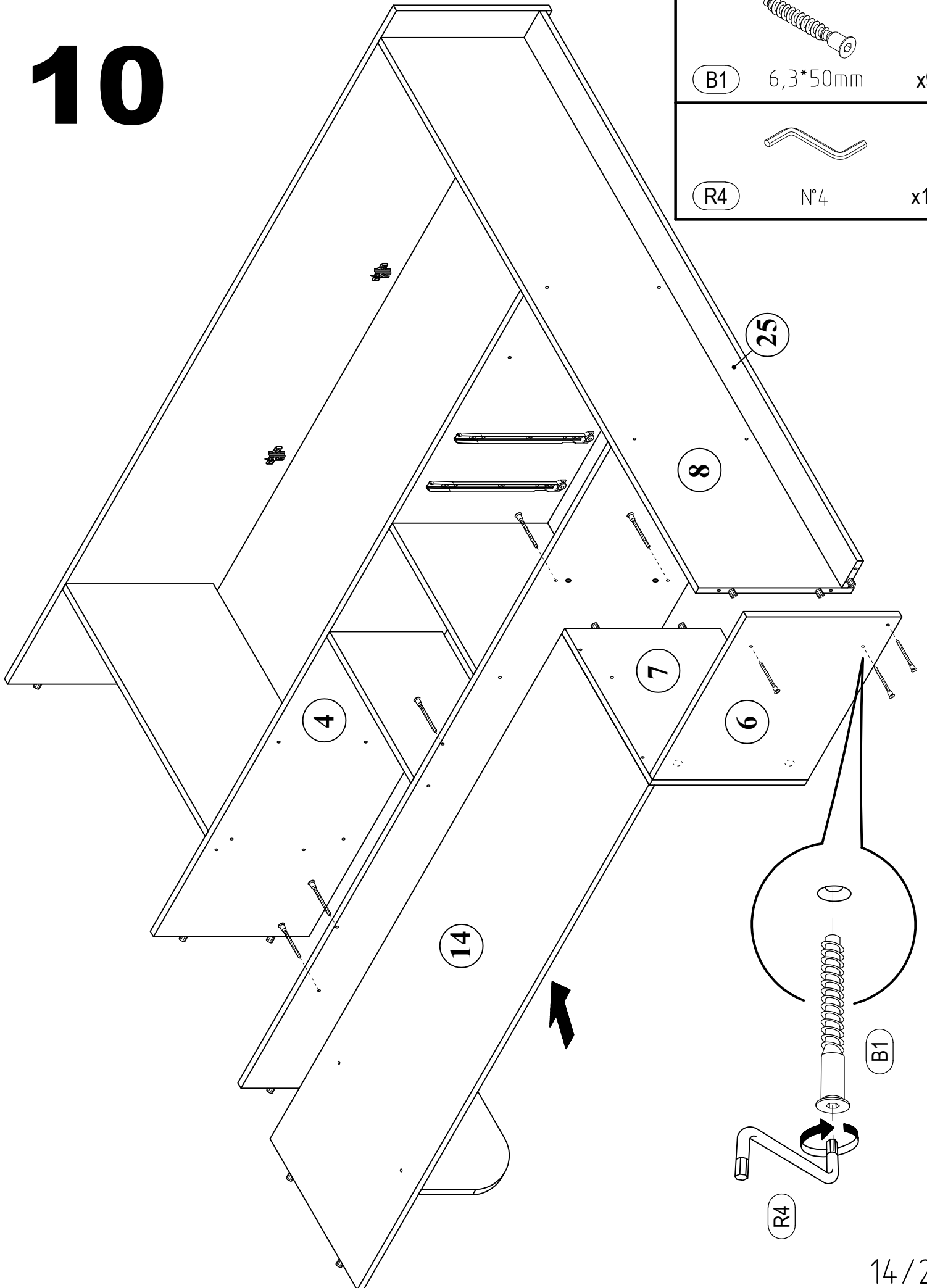


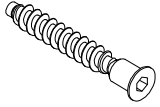

Silhouette 2



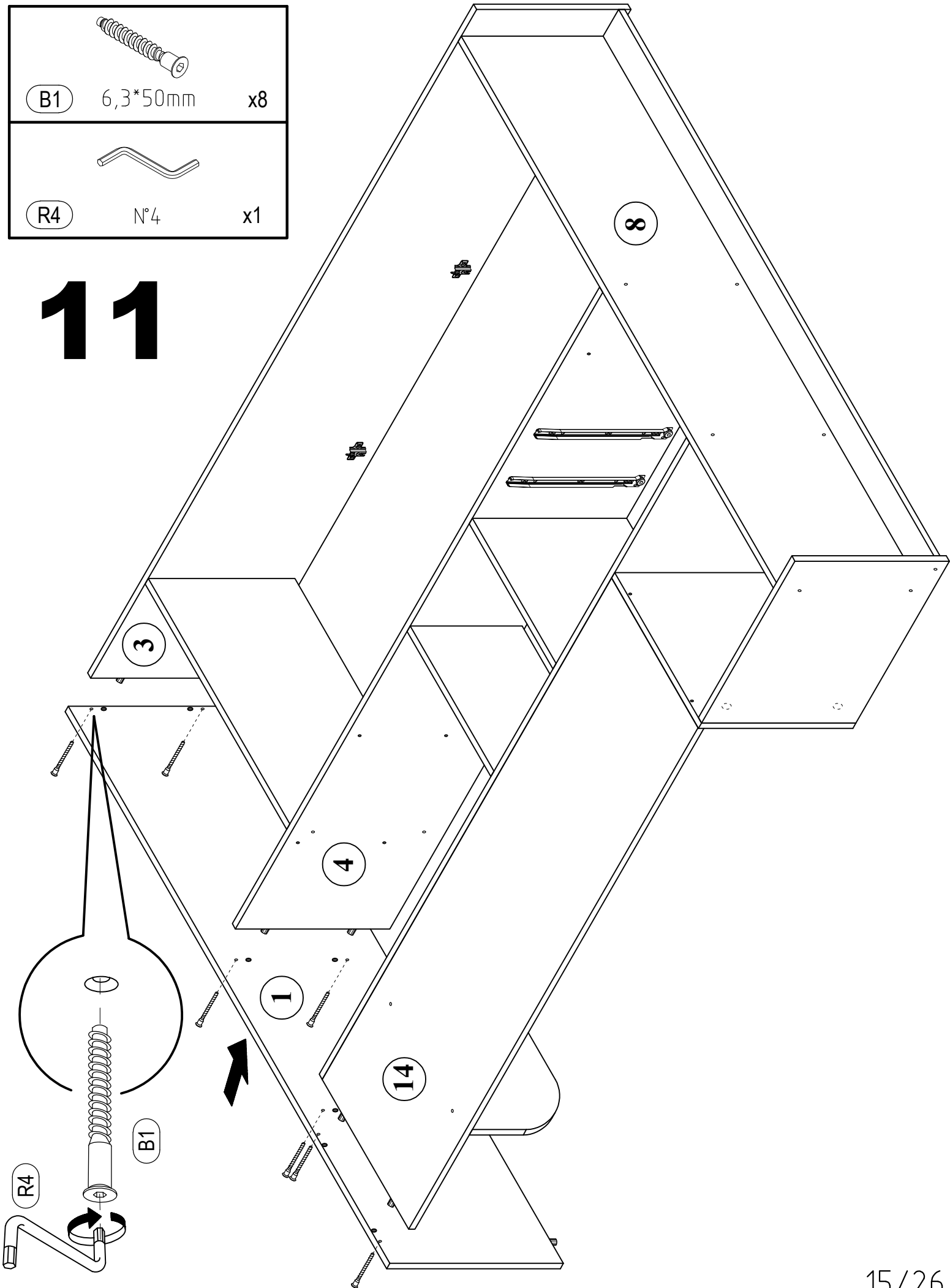
10



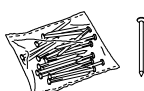
	B1 6,3*50mm	x9
	R4 N°4	x1



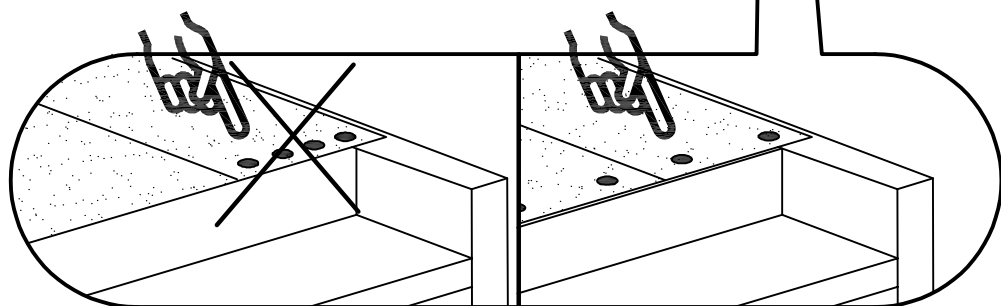
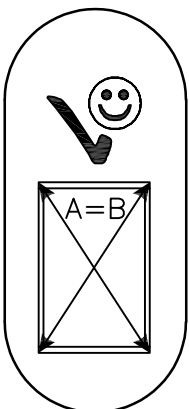
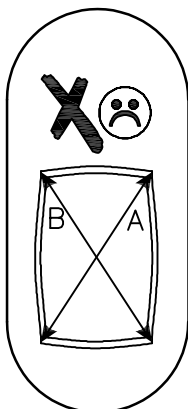
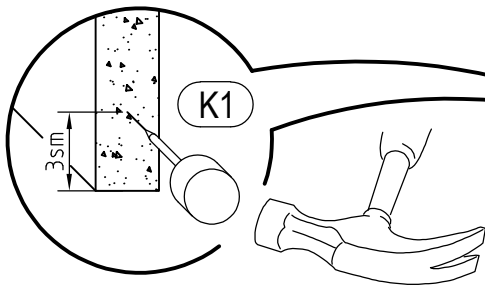
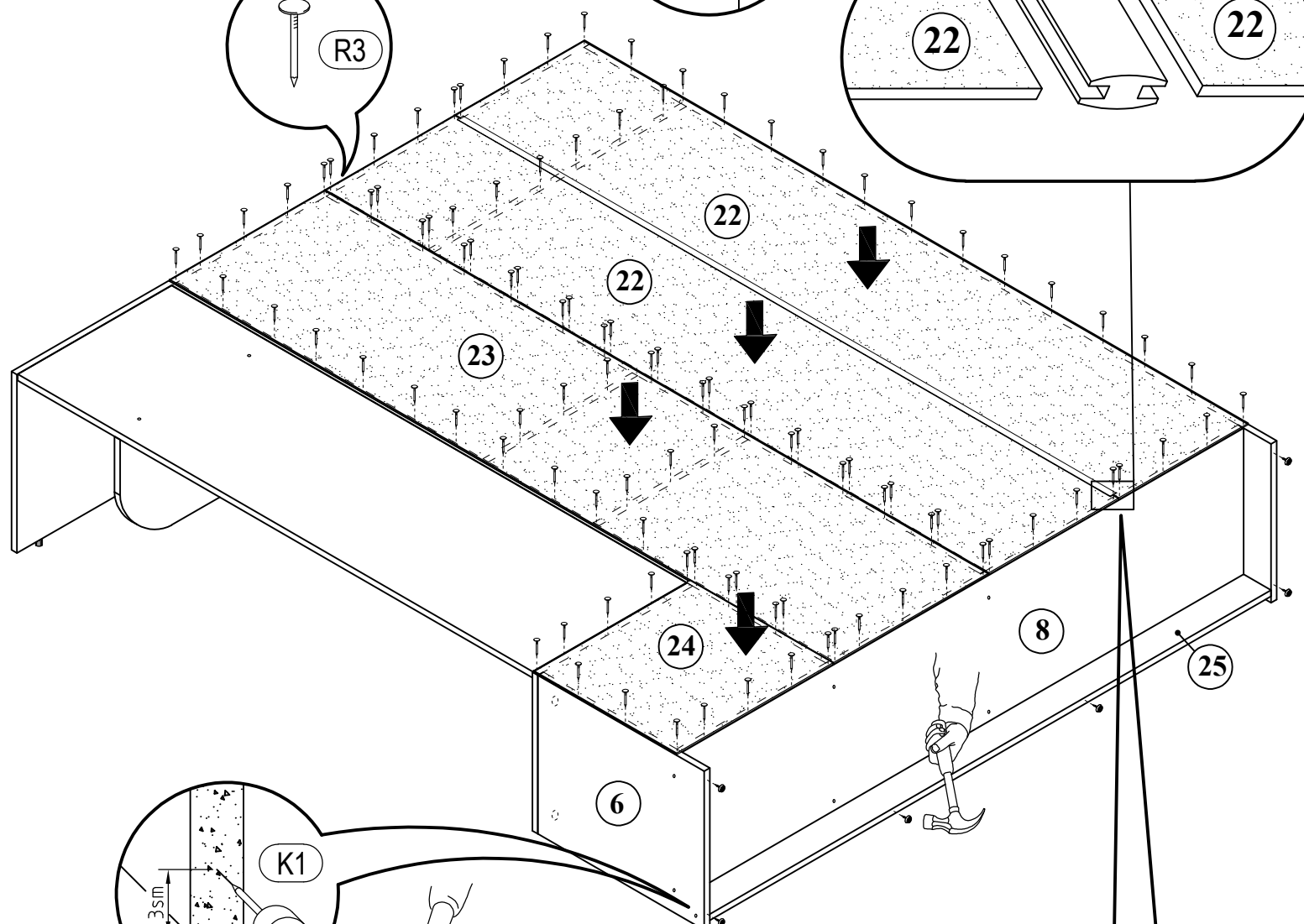
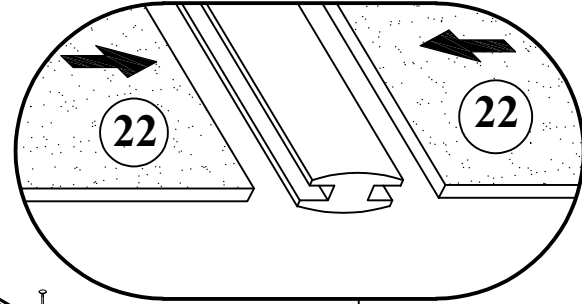
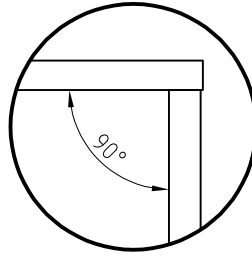
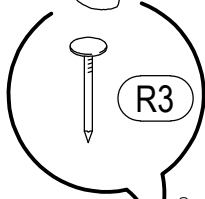
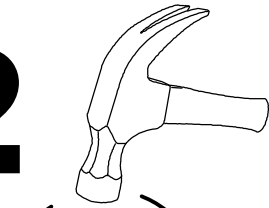
		
B1	6,3*50mm	x8
		
R4	N°4	x1

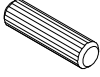
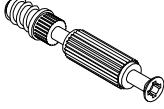
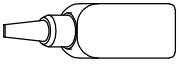
11



 K1	x6	 O8 L-1900 mm	x1	 R3 1.4*25mm	40g
---	----	---	----	--	-----

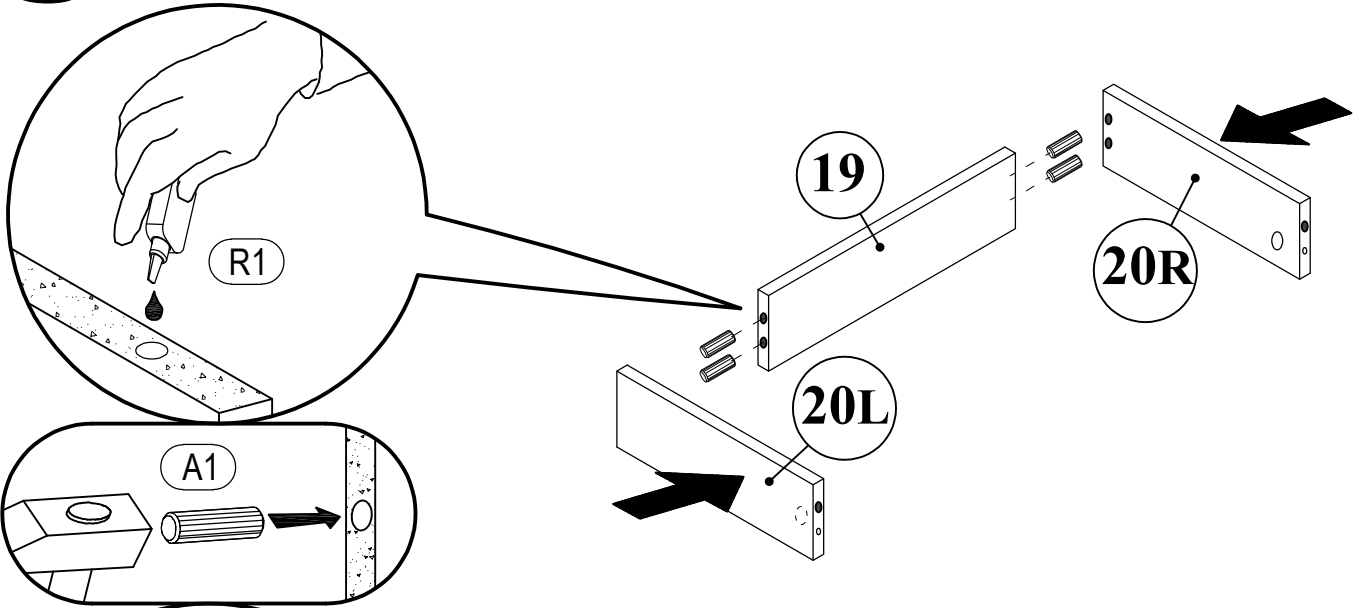
12



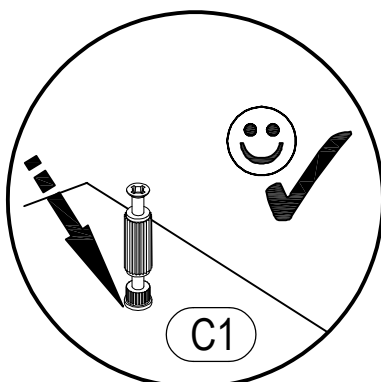
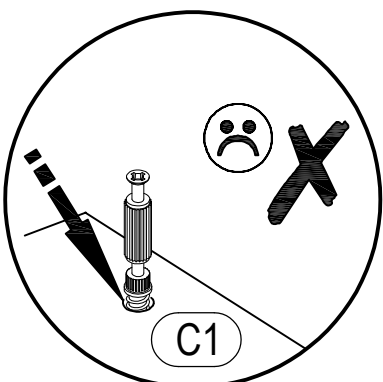
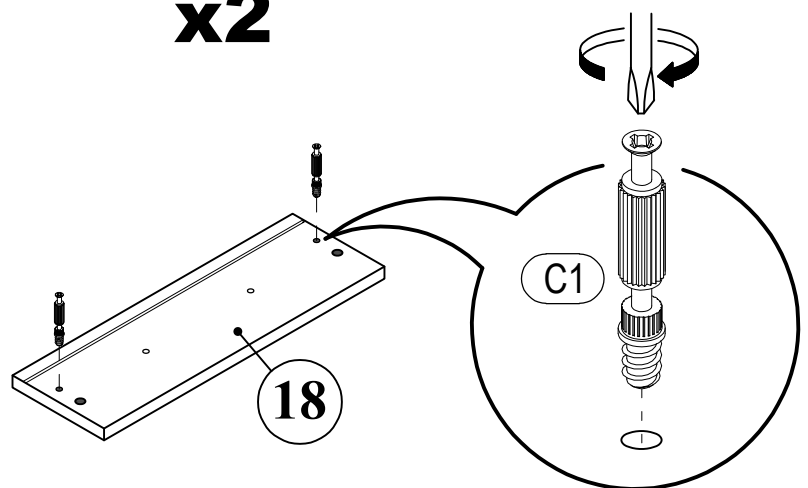
 (A1) 8*30mm x8	 (C1) 6*43mm x4	 (R1) x1
--	--	---

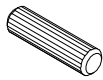

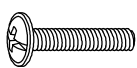

13

13.1 x2



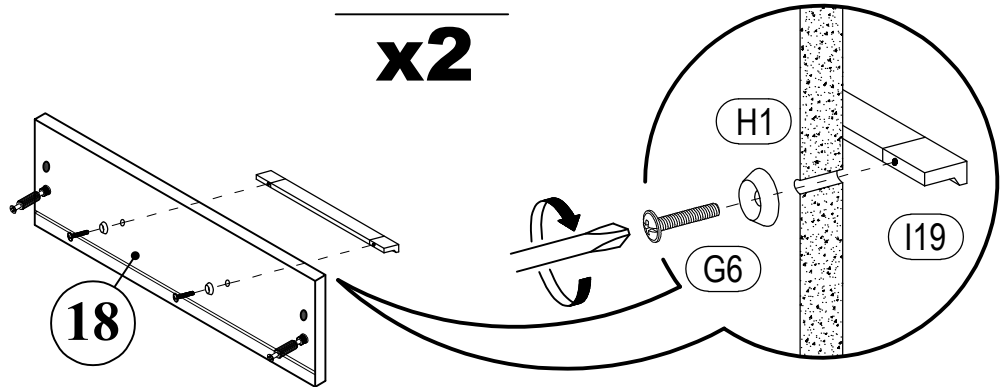
13.2 x2



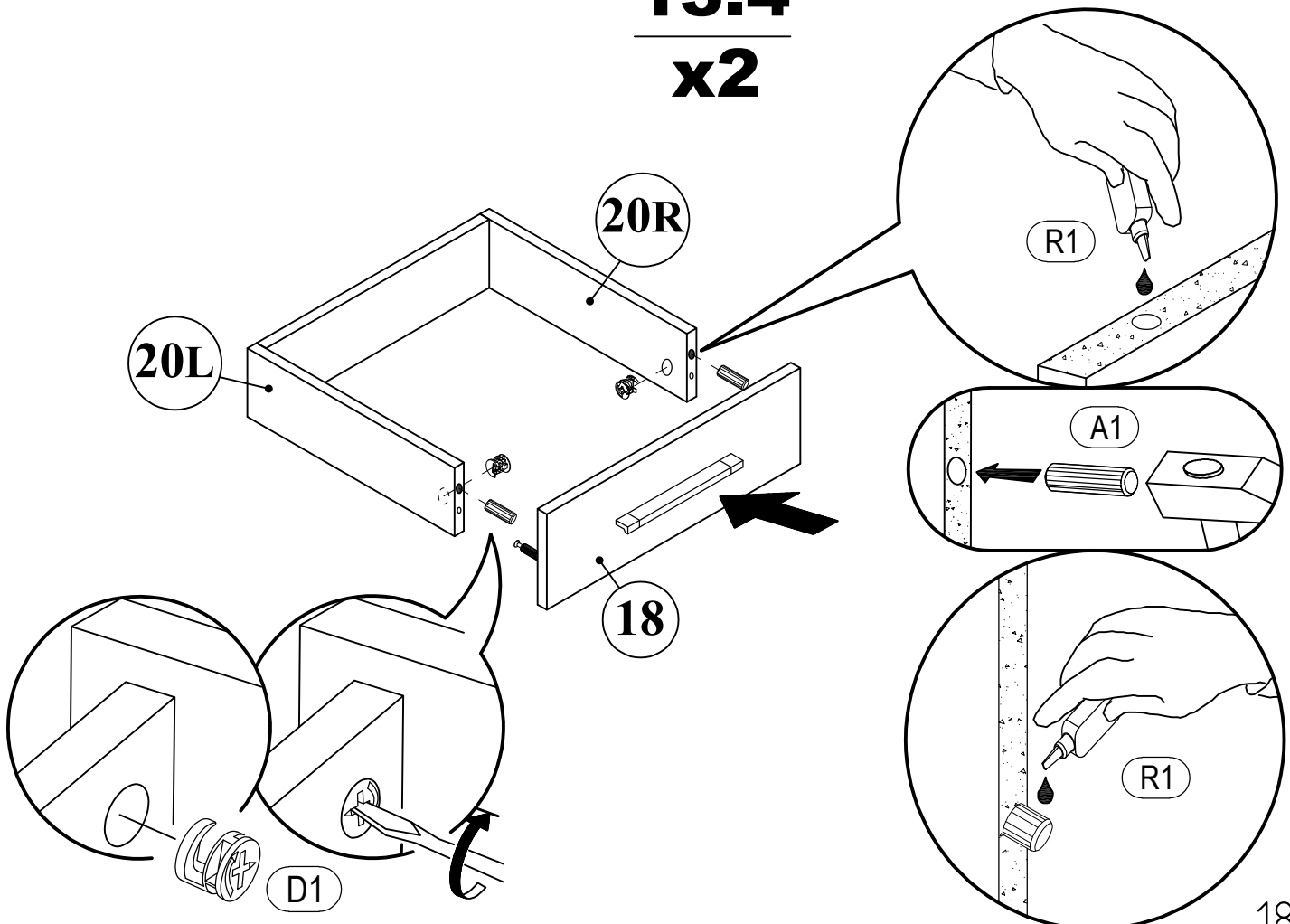
 A1 8*30mm x4	 D1 15/16 x4	 G6 M 4 * 22mm x4
H1 M 4 x4	 I19 D-752 x2	


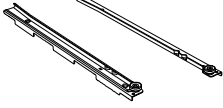

13

13.3 x2



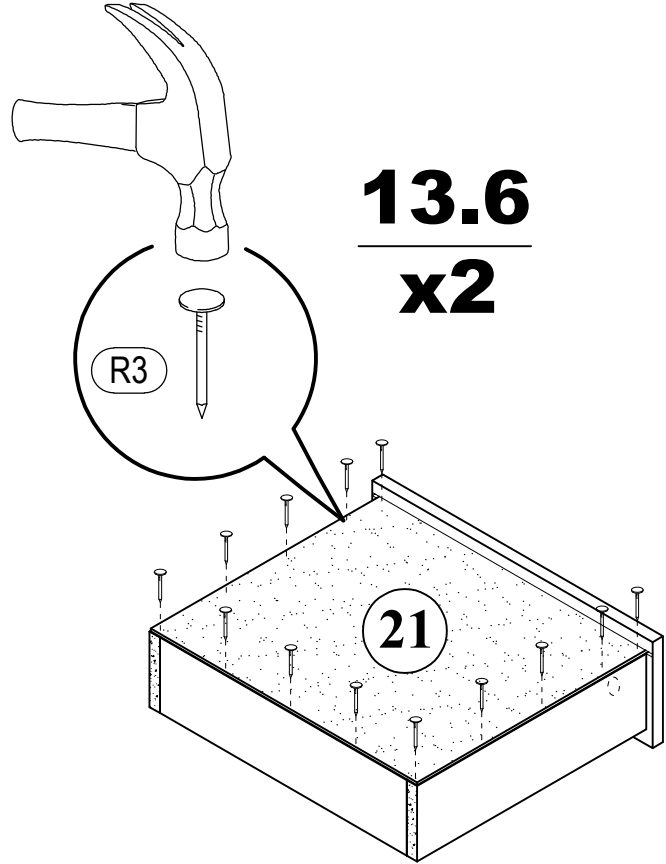
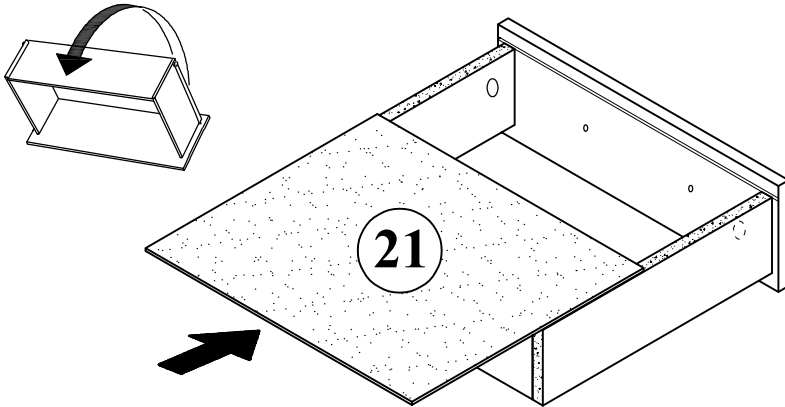
13.4 x2



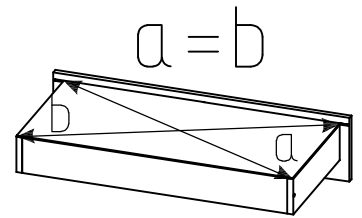
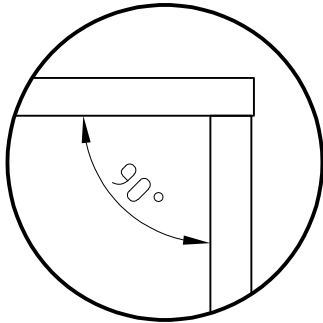
 E4 3*15mm x8	 M1 L- 350 mm x2	 R3 1.4*25mm 10g
--	---	---

13

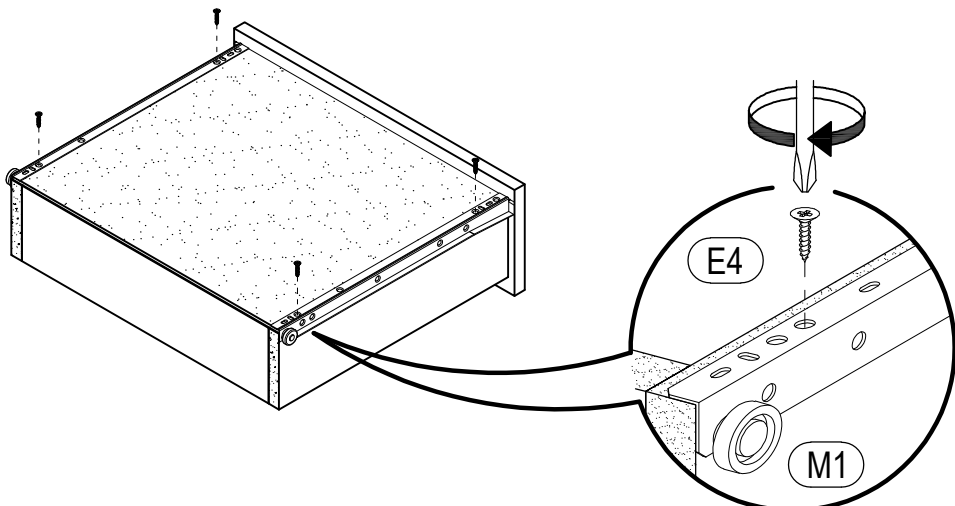
13.5 x2

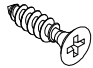
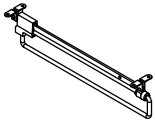
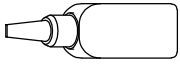
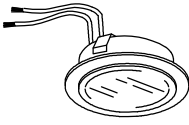
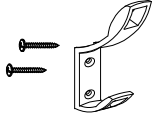


13.6 x2

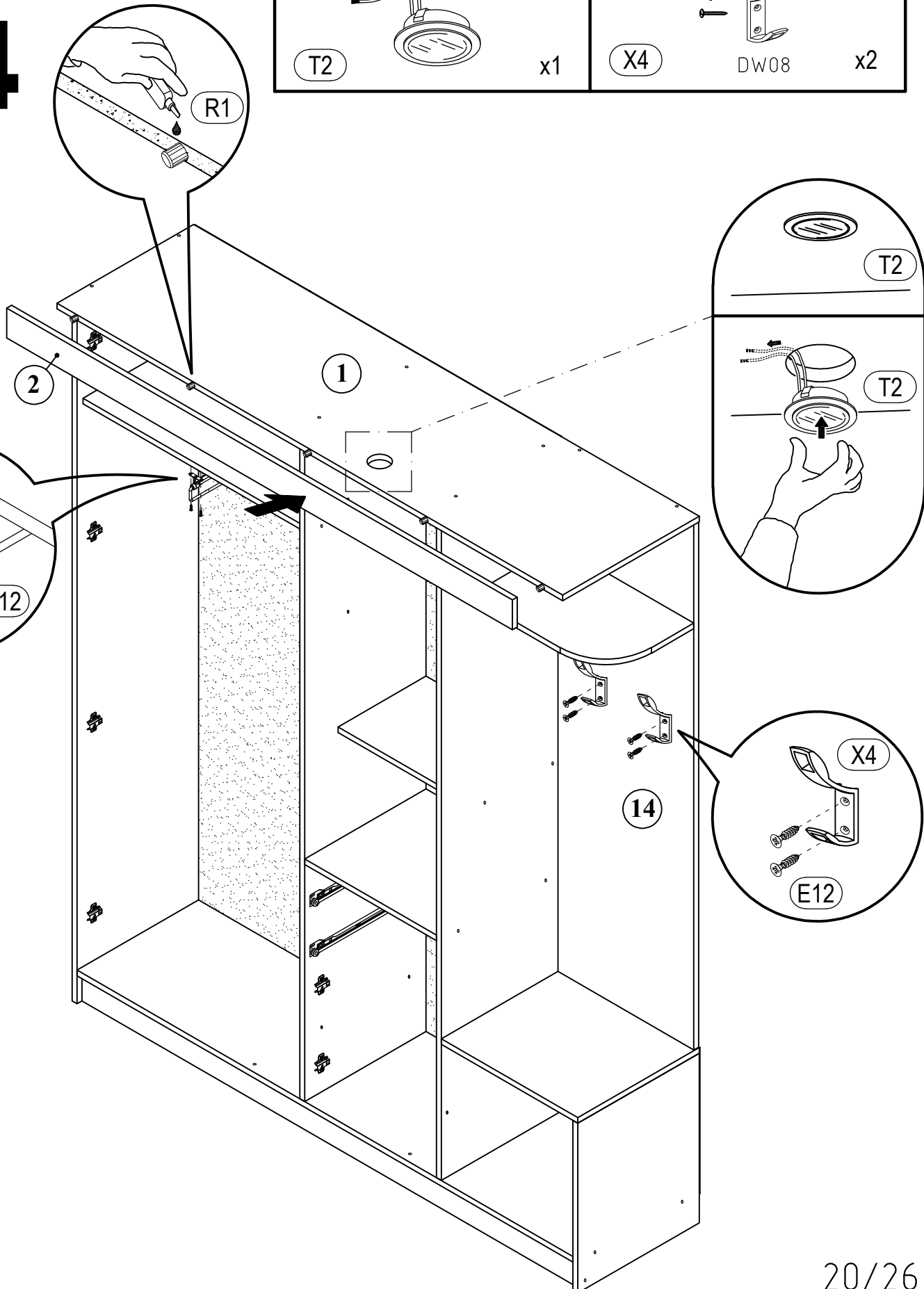


13.7 x2


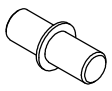
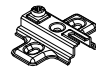


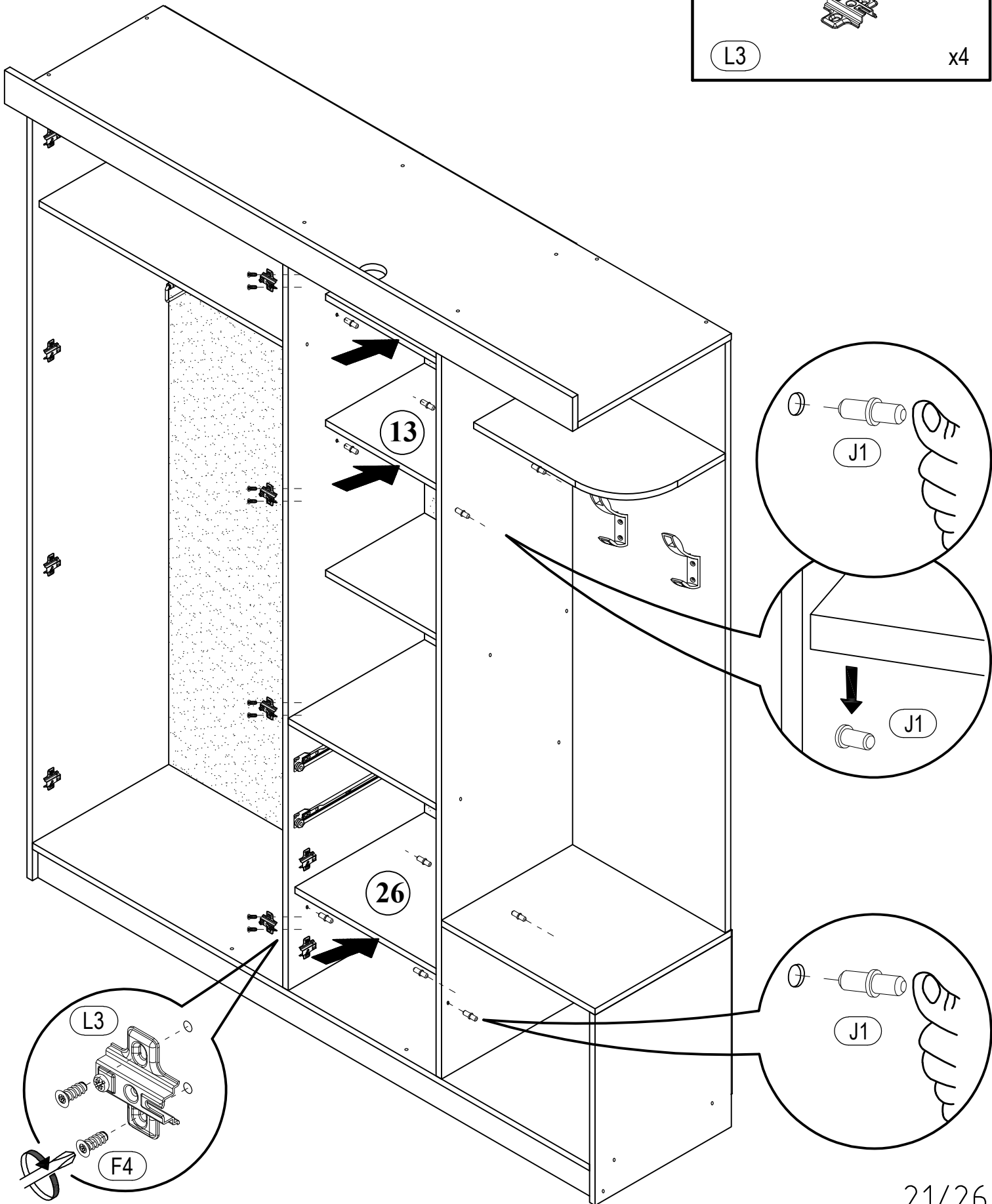
 E12 4*16mm x4	 N6 L-350mm x1	 R1 x1
 T2 x1	 X4 DW08 x2	

14

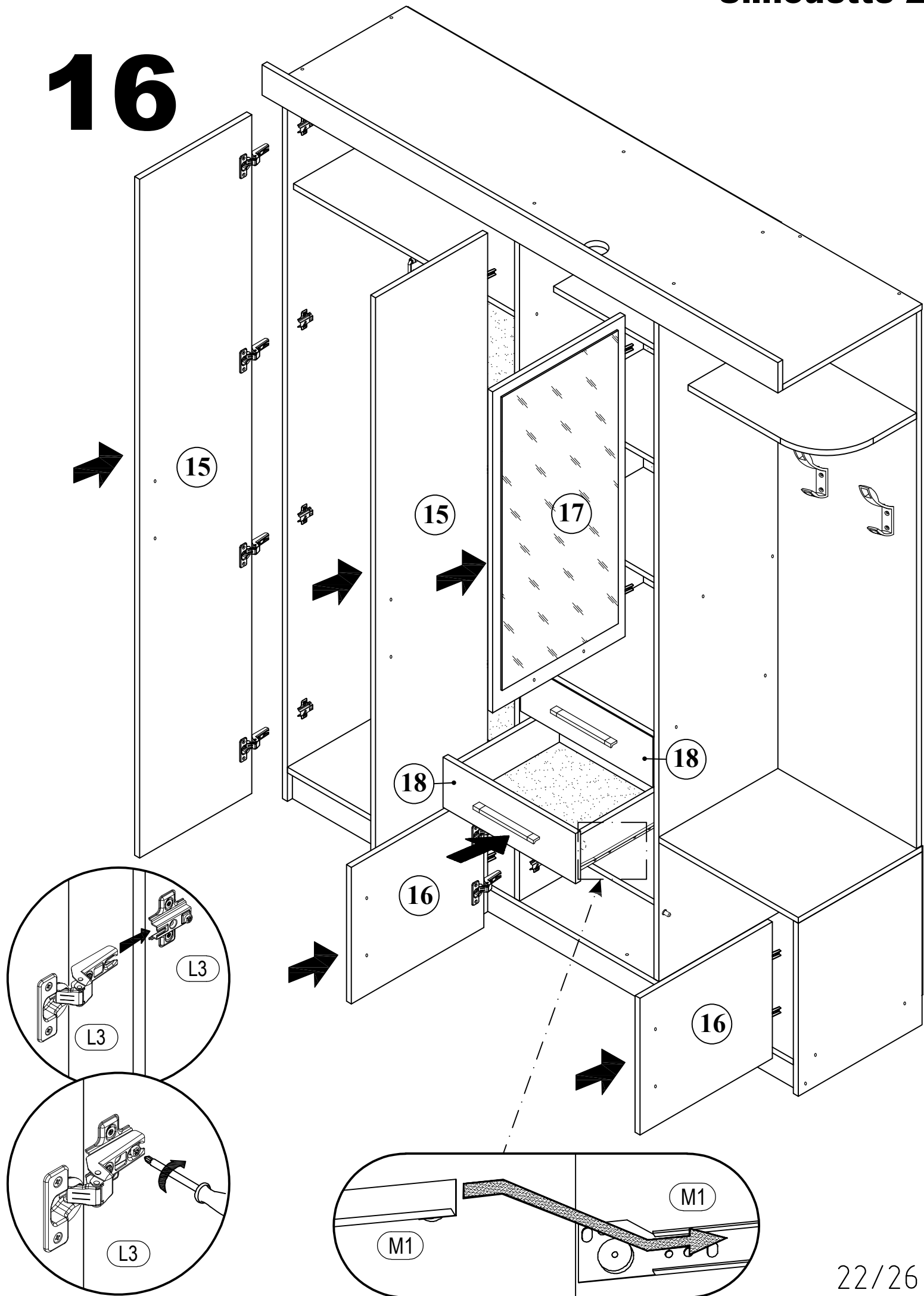







15

 F4 6,3*13mm x8	 J1 5*16mm x13
	 L3 x4

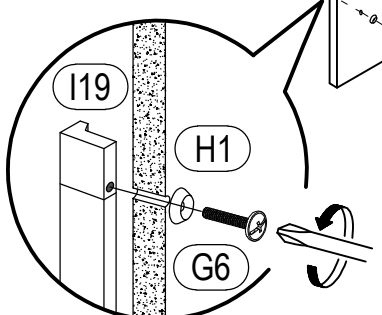
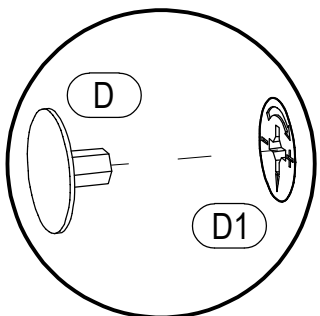
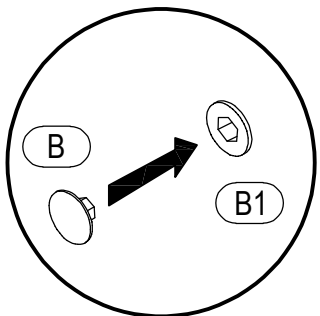
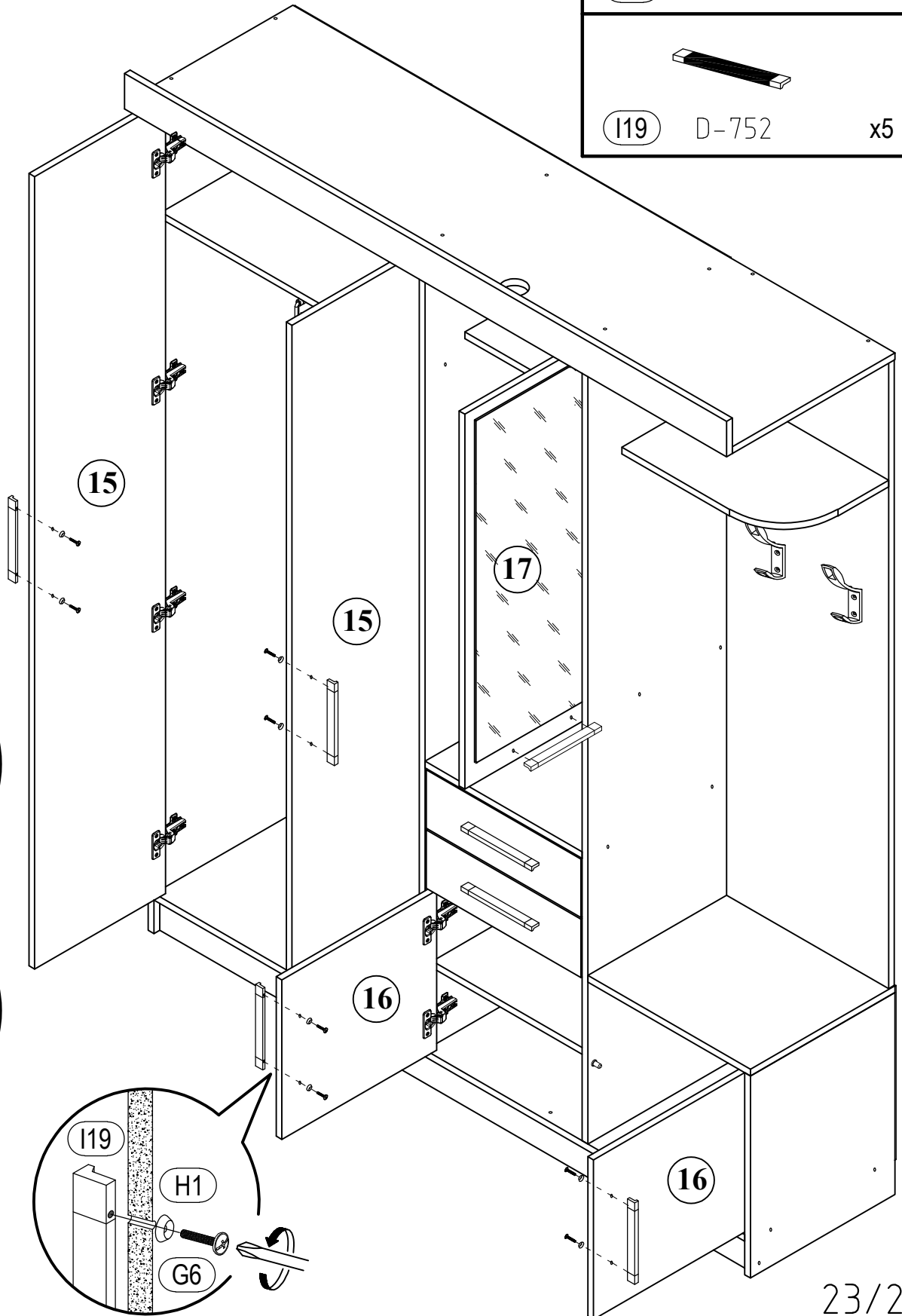


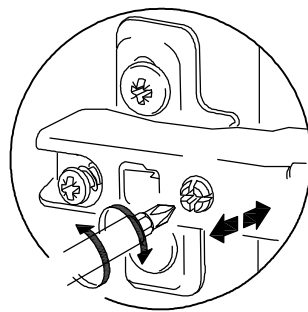
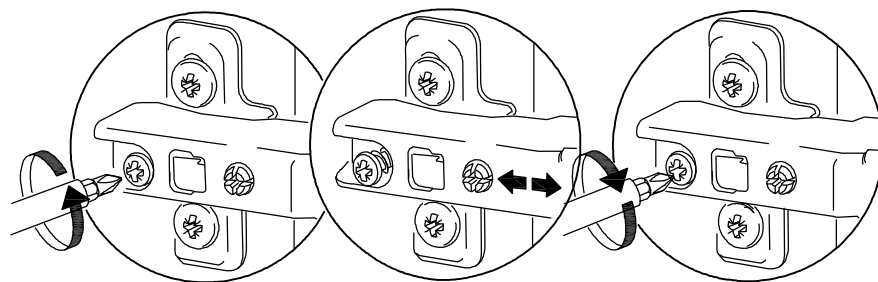
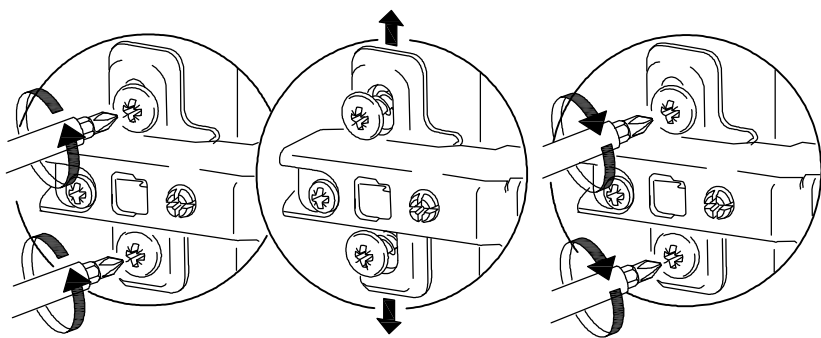
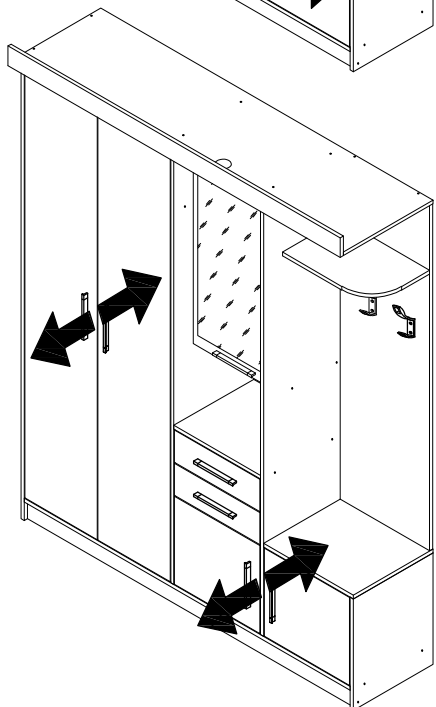
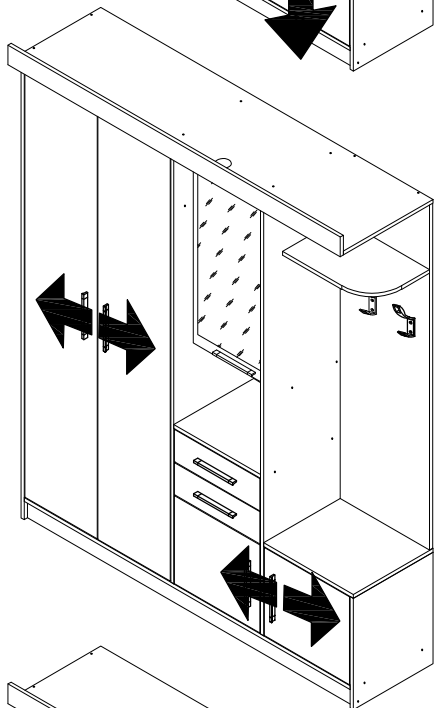
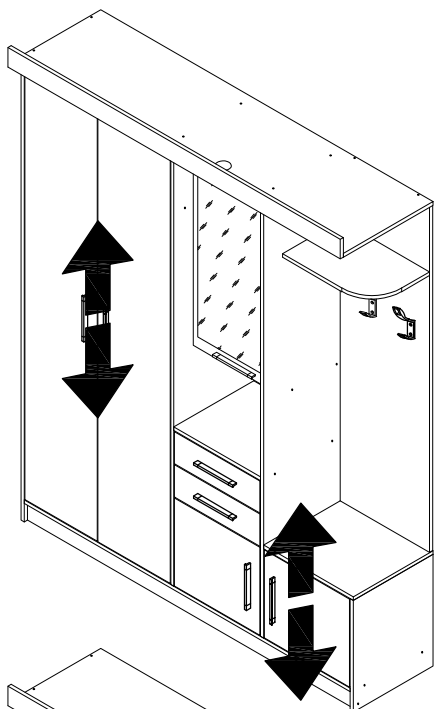
16



 B $\phi 12\text{mm}$ x20	 D $\phi 20\text{mm}$ x6	 G6 M 4*22mm x10
		 H1 M 4 x10
		 I19 D-752 x5

17





Silhouette 2

